

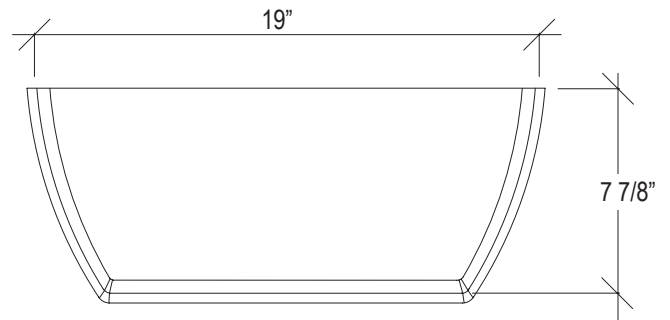
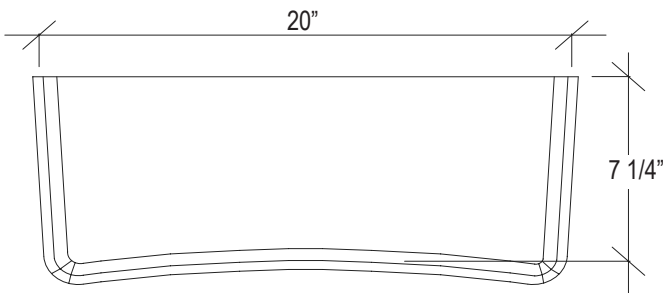
TOILID, INC.

Product Catalog 2007

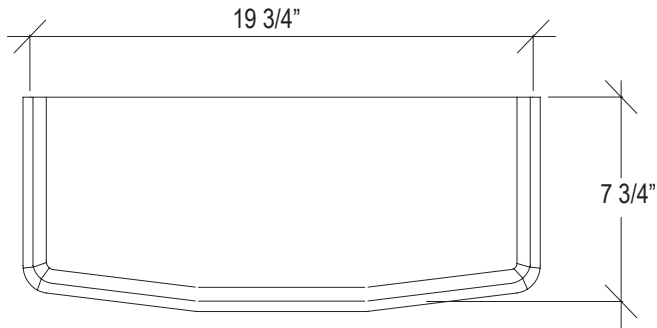


The EL-1 is designed as a replacement toilet tank lid for the Elger PAT 191-697.

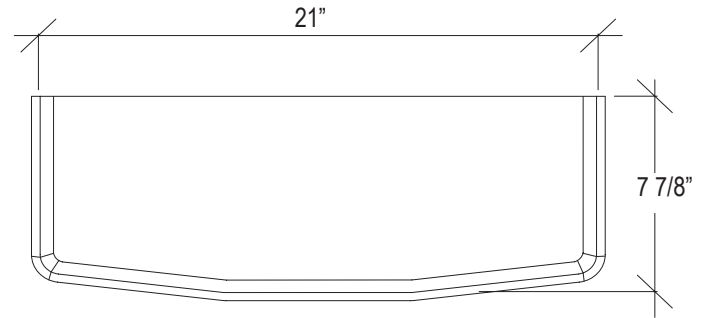
The KH-1 is designed as a replacement toilet tank lid for the KOHLER K4558.



The KG-1 is designed as a replacement toilet tank lid for the KILGORE 201ws.

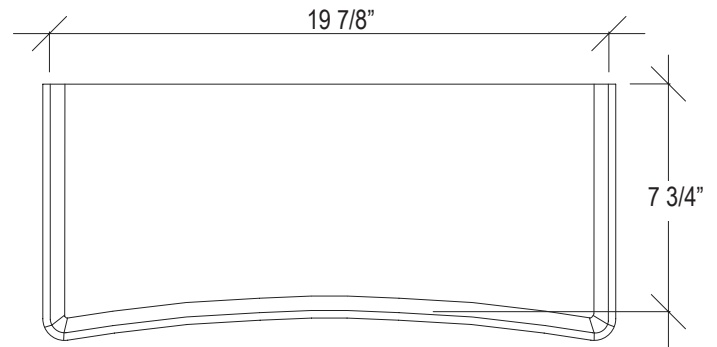
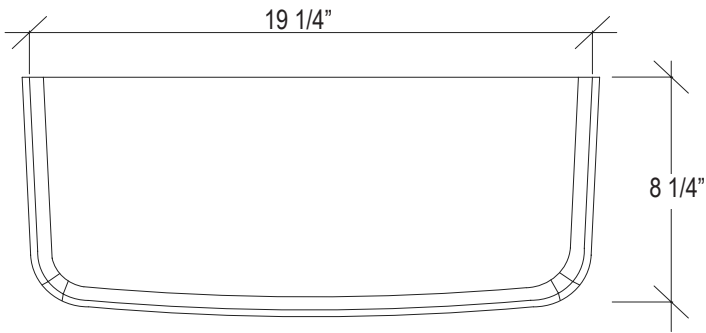


The KG-2 is designed as a replacement toilet tank lid for the KILGORE 201 & CRANE 550.

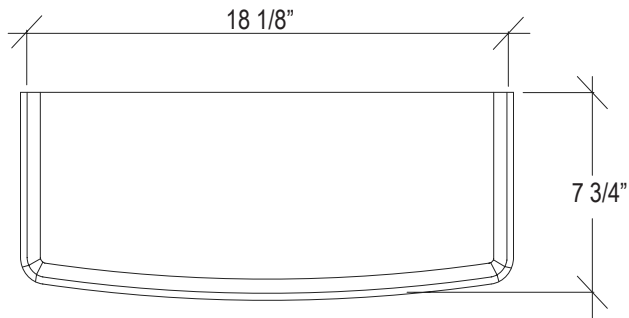


The BG-3 is designed as a replacement toilet tank lid for the BRIGGS 7421.

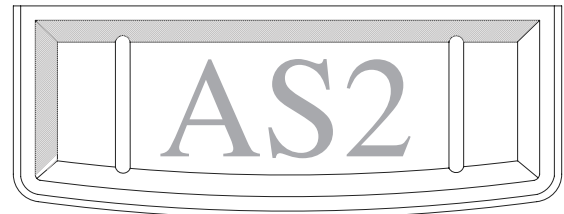
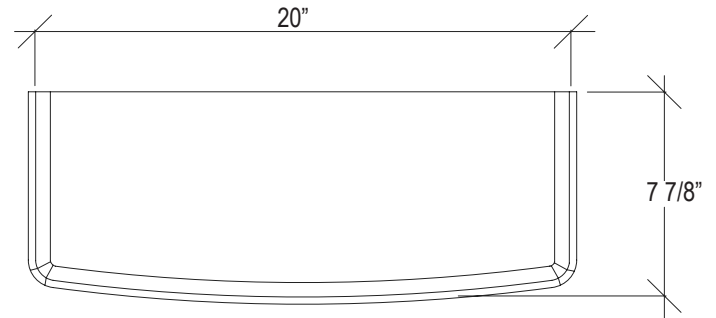
The GB-1 is designed as a replacement toilet tank lid for the GERBER Water Saver W7.



The AS-1 is designed as a replacement toilet tank lid for the AMERICAN STANDARD 4083 & 4088.

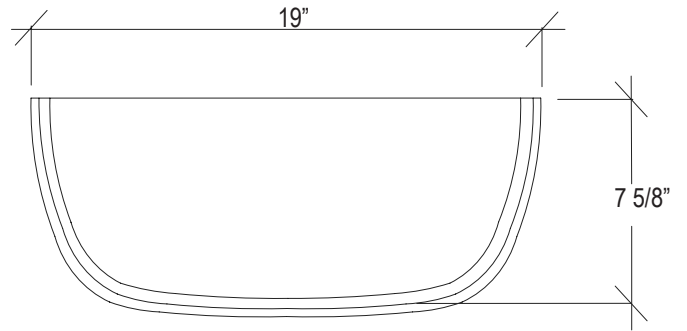
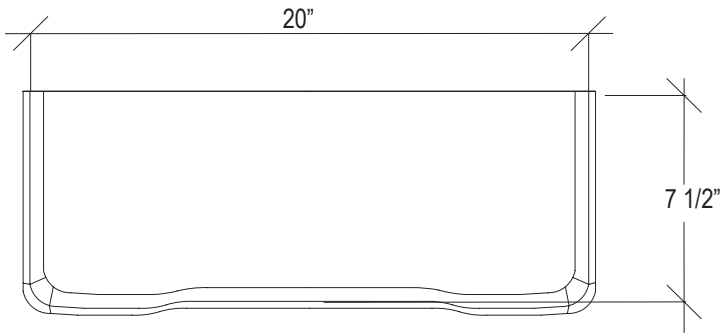


The AS-2 is designed as a replacement toilet tank lid for the AMERICAN STANDARD 4049 & KOHLER K4556.

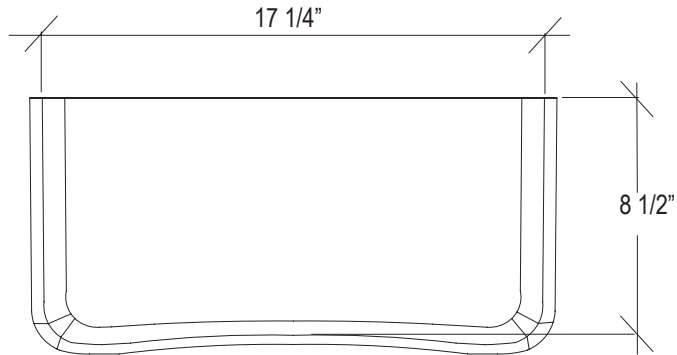


The BG-1 is designed as a replacement toilet tank lid for the BRIGGS Model #A.

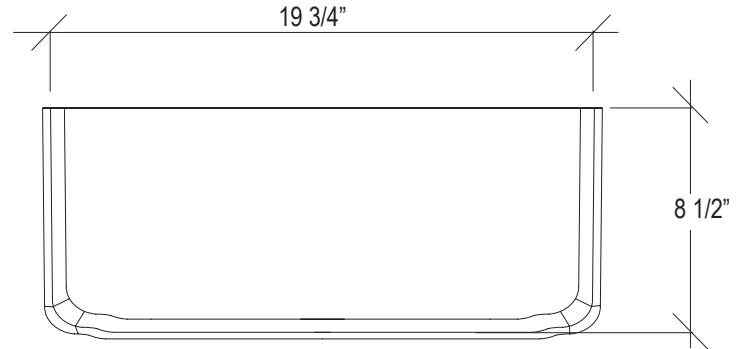
The KG-3 is designed as a replacement toilet tank lid for the MANSFIELD MMP #73.



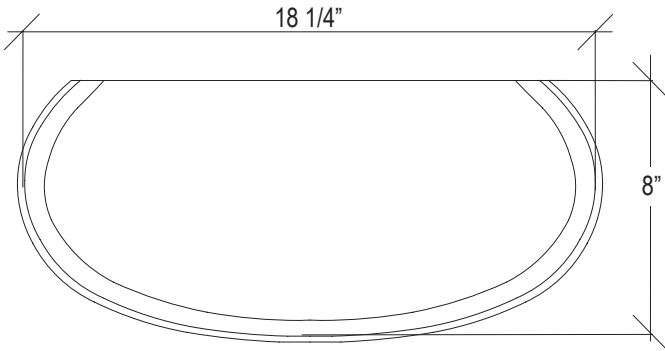
The MC-1 is designed as a replacement toilet tank lid for the LAMOSAs.



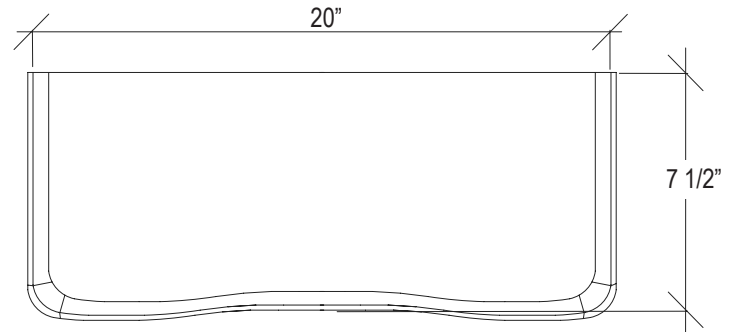
The MC-2 is designed as a replacement toilet tank lid for the VITRO Mex AB.

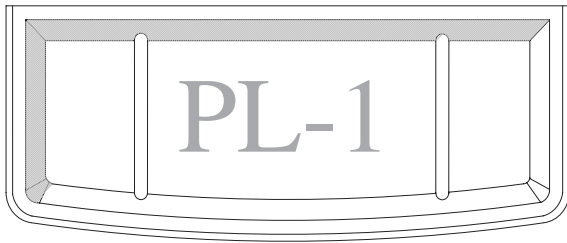
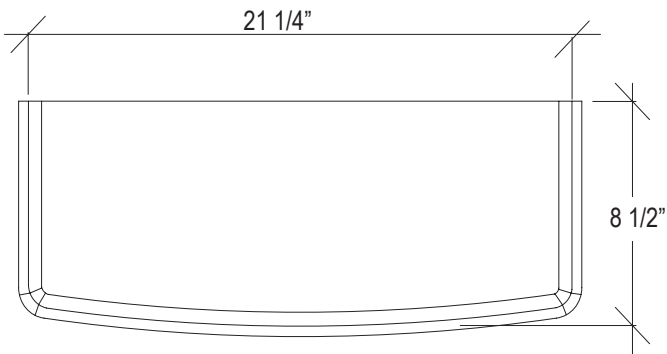


The BG-4 is designed as a replacement toilet tank lid for the BRIGGS 7469.



The BG-2 is designed as a replacement toilet tank lid for the BRIGGS Water Saver.





The PL-1 is designed as a replacement toilet tank lid for the PEERLESS 202, CRANE 263 & 91

DELIVERY.

Purchase orders equal to or greater than 30 units qualify for Toilid, Inc's free freight program.

ACCEPTANCE OF MERCHANDISE.

Customers are expected to inspect all merchandise for visible damage. Please note any damages on shipping invoice before accepting delivery.

DAMAGED OR DEFECTIVE MERCHANDISE.

Any merchandise found damaged or defective at time of delivery is required to be returned to the factory and a credit will be issued to the customer.

WARRANTY.

Toilid, Inc. warrants the product against defects in materials and, or workmanship for a period of 90 days [proof of purchase is required]. If Toilid Inc. receives notice of such defects during the warranty period by end user, and the product proves to be defective, Toilid Inc. will either, repair or replace product.

The surfaces of the bottom and back of the tank lid are unfinished and are not warranted for any surface imperfections. Expect slight surface imperfections on the finished sides of the product.

DIMENSIONS.

Toilid Inc.'s dimensions are taken from the inside edges of the toilet tank lid. The length is measured at the widest part of the lid from one inside edge to the other. The width is measured at the center of the lid from the rear edge to the front inside edge.

